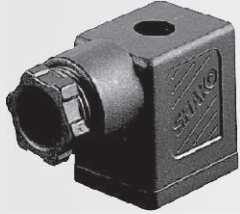


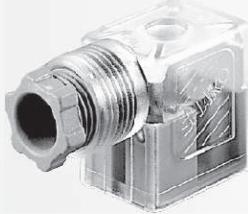
## Order code

CODE:  
CN2211S9BSG



## Order code

CODE:  
AC : CN2211S9ASG  
DC : CN2211S9DSG



## Order code

CODE:  
CN2211S9BGG  
1/2" NPTF conduit connector

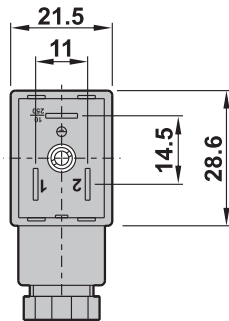
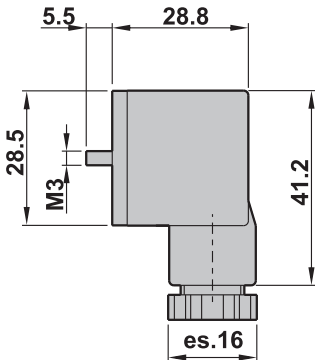


## Specifications

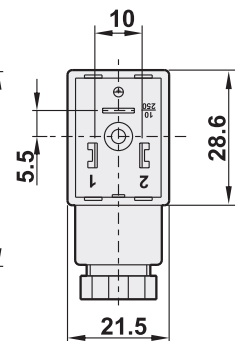
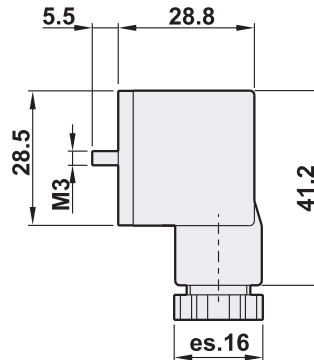
Housing	Black and gray: PA+30% GF
Contact holder, Gland out	PA + 30% GF
Cable diameter, Gland size	6-8mm PG9 or 1/2"NPTF
Contact material	Cu Zn (AG)
Max. voltage	250VAC/300VDC
Max. current	16A
Operating current	10A
Spacing	11mm
Max. wire cross-section	1.5mm <sup>2</sup>
Insulation class	C-VDE0110
Working temperature	-40°C ~ +120°C

## Dimensions

### ● CN2211S9BSG



### ● CN2211S9DSG, CN2211S9ASG



### ● CN2211S9BGG

